

# H4 HD Camera with Self-Learning Analytics

Avigilon offers a broad range of high definition cameras – from 1 – 5 MP and 4 – 7K (based on horizontal resolution) – and are available in a variety of formats, including dome, panoramic and fixed. Whether it's a small storefront that requires a few cameras or a large complex system requiring complete coverage of numerous areas, you can trust that you're getting an exceptional solution for your security needs.

The innovative H4 HD camera is just one way Avigilon can help provide effective monitoring and protection.



Embedded with self-learning video analytics, the H4 HD cameras seamlessly integrate with Avigilon Control Center (ACC), allowing security personnel to respond proactively and mitigate an incident before damage is done.

The H4 HD camera features an integrated lens for remote focus and zoom control, and is ONVIF® compliant for easy integration. It operates on the Avigilon H4 platform, providing enhanced HDSM™ software features, triple Exposure Ultra-Wide Dynamic Range (WDR) and patented LightCatcher™ technology ensuring you receive excellent image detail in areas where lighting is less than ideal. P-Iris control also allows the camera to automatically set its iris position to enhance image quality in all lighting conditions.

Onboard storage capabilities let you manage storage directly on the camera using a standard SD memory card. Avigilon HDSM SmartCodec™ technology H4 platform optimizes the video stream in real time using automatic ROI encoding to save bandwidth and storage requirements while maintaining image quality.

ONVIF is a trademark of Onvif, Inc.

## KEY FEATURES

1-5 megapixel and 4K Ultra HD (8 MP) resolution
Patented Advanced Video Pattern Detection and Teach by Example Technology
Self-learning video analytics
Patented High Definition Stream Management (HDSM) Technology
Available with 3-9 mm F1.3, 4.3-8 mm F1.8, 4.7-84.6 mm F1.6, or 9-22 mm F1.6 P-Iris lens with remote focus and zoom
Wifi camera configuration support
Avigilon LightCatcher technology provides exceptional image quality in low light environments (1-5 MP models)
Triple Exposure Ultra Wide Dynamic Range (1-3 MP models)
ONVIF compliance with version 1.02, 2.00, Profile S, Profile T and Profile G
Avigilon HDSM SmartCodec technology for reduce bandwidth and storage requirements
Idle Scene Mode lowers the bandwidth and storage usage if there are no motion events detected in the scene
Full Feature or High Framerate camera operating modes (4K Ultra HD model)
RS-485 interface

		1.0 MP	2.0 MP	3.0 MP	5.0 MP	4K ULTRA HD (8.0 MP)	
<b>IMAGE PERFORMANCE</b>	Image Sensor	1/2.8" progressive scan CMOS			1/1.8" progressive scan CMOS	1/2.3" progressive scan CMOS	
	Aspect Ratio	16:9		4:3			
	Active Pixels (H x V)	1280 x 720	1920 x 1080	2048 x 1536	2592 x 1944	3840 x 2160	
	Imaging Area (H x V)	4.8 mm x 2.7mm; 0.189" x 0.106"		5.12 mm x 3.84 mm; 0.202" x 0.151"	6.22 mm x 4.66 mm; 0.245" x 0.183"	5.95 mm x 3.35 mm; 0.234" x 0.132"	
	Minimum Illumination	3 - 9 mm lens:	0.04 lux (F1.3) in color mode; 0.008 lux (F1.3) in monochrome mode			N/A	
		4.3 - 8 mm lens:	N/A			0.033 lux (F1.8) in color mode; 0.0066 lux (F1.8) in monochrome mode	0.29 lux (F1.8) in color mode; 0.058 lux (F1.8) in monochrome mode
		4.7 - 84.6 mm lens:	0.08 lux (F1.6) in color mode; 0.016 lux (F1.6) in monochrome mode			N/A	
		9 - 22 mm lens:	0.08 lux (F1.6) in color mode; 0.016 lux (F1.6) in monochrome mode			0.026 lux (F1.6) in color mode; 0.005 lux (F1.6) in monochrome mode	N/A
	Image Rate	30 fps		30 fps (20 fps with WDR enabled)	30 fps	20 fps (30 fps in High Framerate mode)	
	Dynamic Range	67 dB			83 dB	91 dB	
	Dynamic Range (WDR enabled)	120 dB triple exposure (20 fps or less); 100 dB dual exposure (30 fps)			N/A	N/A	
	Resolution Scaling	Down to 768 x 432			Down to 1792 x 1344	Down to 3072 x 1728	
Camera Operating Mode	N/A				Full Feature or High Framerate mode (HDSM 2.0 and analytics disabled in High Framerate mode)		
3D Noise Reduction Filter	Yes						

		1.0 MP	2.0 MP	3.0 MP	5.0 MP	4K ULTRA HD (8.0 MP)	
<b>LENS</b>	Lens	3 - 9 mm lens:	F1.3, P-Iris, remote focus and zoom				
		4.3 - 8 mm lens:	F1.8, P-Iris, remote focus and zoom				
		4.7 - 84.6 mm lens:	F1.6 P-Iris, remote focus and zoom				
		9 - 22 mm lens:	F1.6, P-Iris, remote focus and zoom				
	Angle of View	3 - 9 mm lens:	30° – 91°		32° – 98°	N/A	
		4.3 - 8 mm lens:	N/A			46° – 86°	44° – 81°
		4.7 - 84.6 mm lens:	3.3° – 55°		3.5° – 59°	N/A	
		9 - 22 mm lens:	14° – 29°		15° – 31°	18° – 41°	N/A

<b>IMAGE CONTROL</b>	Video Compression	H.264 (MPEG-4 Part 10/AVC), Motion JPEG, HDSM SmartCodec Technology
	Streaming	Multi-stream H.264 and Motion JPEG
	Bandwidth Management	(1.0 - 3.0 MP) HDSM; (5.0 MP and 4K Ultra HD) HDSM 2.0
	Motion Detection	Selectable sensitivity and threshold
	Electronic Shutter Control	Automatic, Manual (1/6 to 1/8000 sec)
	Iris Control	Automatic, Manual
	Day/Night Control	Automatic, Manual
	Flicker Control	50 Hz, 60 Hz
	White Balance	Automatic, Manual
	Backlight Compensation	Adjustable
	Privacy Zones	Up to 64 zones
	Audio Compression Method	G.711 PCM 8 kHz
	Audio Input/Output	Line level input/output, A/V mini-jack (3.5 mm)
	Video Output	(1.0 - 2.0 MP only) NTSC/PAL, A/V mini-jack (3.5 mm)
	External I/O Terminals	Alarm In, Alarm Out
	USB Port	USB 2.0 Micro

<b>NETWORK</b>	Network	100BASE-TX
	Cabling Type	CAT5
	Connector	RJ-45
	ONVIF	ONVIF compliance version 1.02, 2.00, Profile S, Profile T, Profile G (www.onvif.org)
	Security	Password protection, HTTPS encryption, digest authentication, WS authentication, user access log, 802.1x port based authentication
	Protocol	IPv6, IPv4, HTTP, HTTPS, SOAP, DNS, NTP, RTSP, RTCP, RTP, TCP, UDP, IGMP, ICMP, DHCP, Zeroconf, ARP
	Streaming Protocols	RTP/UDP, RTP/UDP multicast, RTP/RTSP/TCP, RTP/RTSP/HTTP/TCP, RTP/RTSP/HTTPS/TCP, HTTP
	Device Management Protocols	SNMP v2c, SNMP v3

		4.7 – 84.6 MM LENS	3 – 9 MM LENS	4.3 – 8 MM LENS	9 – 22 MM LENS						
<b>MECHANICAL</b>	Dimensions (LxWxH)	168 mm x 76 mm x 67 mm; 6.6" x 3.0" x 2.6"		167 mm x 76 mm x 67 mm; 6.6" x 3.0" x 2.6"							
	Weight	0.62 kg (1.4 lbs)		0.57 kg (1.3 lbs)							
	Camera Mount	1/4"-20 UNC (top and bottom)									
	Onboard Storage	SD/SDHC/SDXC slot – minimum class 4; class 6 or better recommended									
<b>ELECTRICAL</b>	Power Consumption	8 W									
	Power Source	VDC: 12 V +/- 10%, 8 W min VAC: 24 V +/- 10%, 12 VA min		PoE: IEEE802.3af Class 3 compliant							
	Power Connector	2-pin terminal block									
	RTC Backup Battery	3V manganese lithium									
<b>ENVIRONMENTAL</b>	Operating Temperature	-10 °C to +60 °C (14 °F to 140 °F) (8.0 MP only) -10 °C to +50 °C (14 °F to 122 °F)									
	Storage Temperature	-10 °C to +70 °C (14 °F to 158 °F)									
	Humidity	0 - 95% non-condensing									
<b>CERTIFICATIONS</b>	Certifications	UL	cUL	CE	ROHS	WEEE	RCM	EAC	KC	BIS	
	Safety	UL 60950-1			CSA 60950-1			IEC 60950-1			
	Electromagnetic Emissions	FCC Part 15 Subpart B Class B		IC ICES-003 Class B		EN 55032 Class B		EN 61000-6-3	EN 61000-3-2	EN 61000-3-3	EN 55011
	Electromagnetic Immunity	EN 55024				EN 61000-6-1					

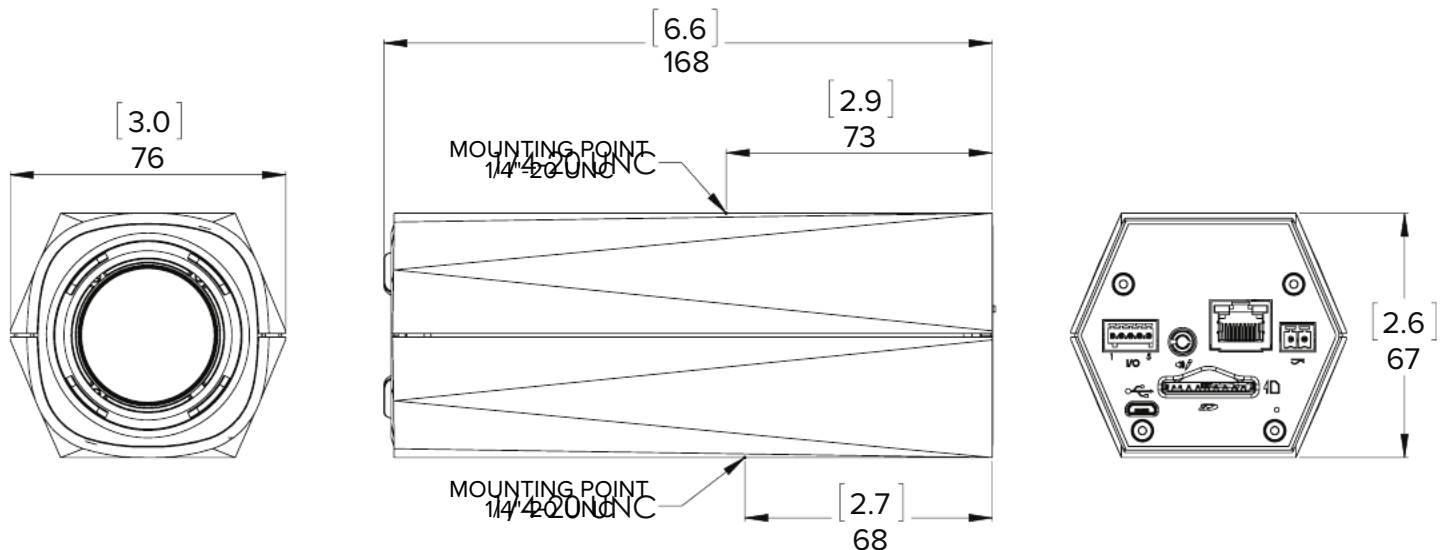
<b>SUPPORTED RULE BASED VIDEO ANALYTICS EVENTS**</b>		
Objects in Area	The event is triggered when the selected object type moves into the region of interest.	
Object Loitering	The event is triggered when the selected object type stays within the region of interest for an extended amount of time.	
Objects Crossing Beam	The event is triggered when the specified number of objects have crossed the directional beam that is configured over the camera's field of view. The beam can be unidirectional or bidirectional.	
Object Appears or Enters Area	The event is triggered by each object that enters the region of interest. This event can be used to count objects.	
Object Not Present in Area	The event is triggered when no objects are present in the region of interest.	
Objects Enter Area	The event is triggered when the specified number of objects have entered the region of interest.	
Objects Leave Area	The event is triggered when the specified number of objects have left the region of interest.	
Object Stops in Area	The event is triggered when an object in a region of interest stops moving for the specified threshold time.	
Direction Violated	The event is triggered when an object moves in the prohibited direction of travel.	
Tamper Detection	The event is triggered when the scene unexpectedly changes.	

\*\* Rule based and UMD Analytics cannot operate at the same time.

<b>SUPPORTED VIDEO ANALYTICS EVENTS</b>		
Unusual Motion Detection (UMD)	Detects and tags recorded video based on unusual speed, direction, and location of motion.	

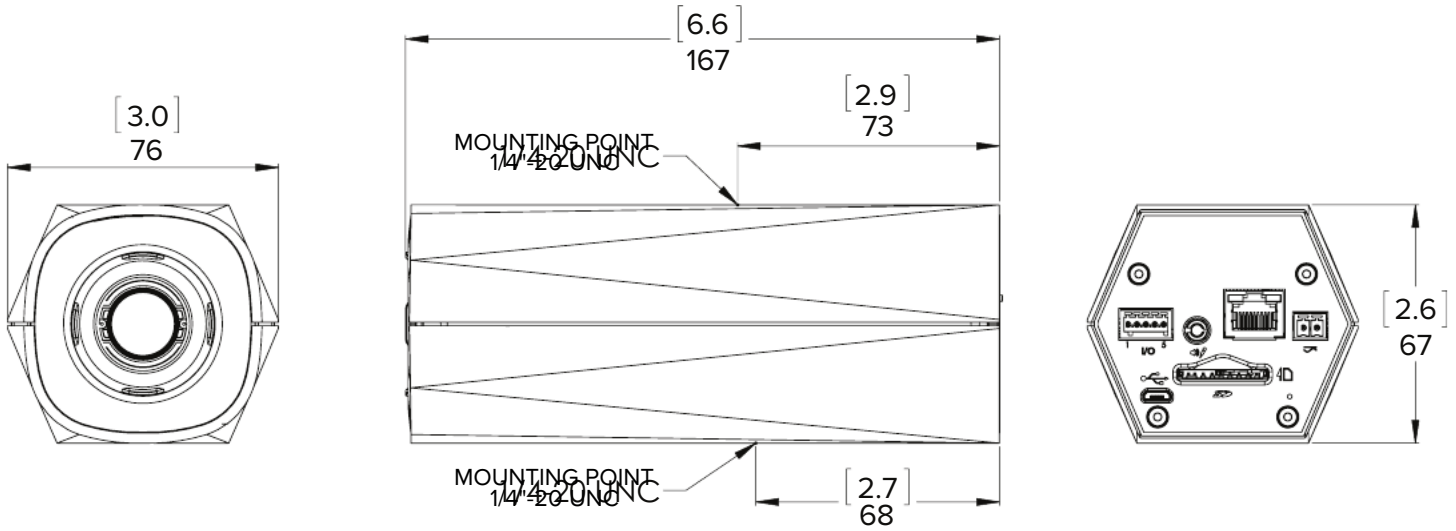
## Outline Dimensions

### 4.7-84.6 mm lens



[X.X]	INCHES
X	MM

3-9 mm lens | 4.3-8 mm lens | 9-22 mm lens



## Ordering Information

	MP	WDR	LightCatcher Technology	Analytics	Lens	Day/Night	HDSM SmartCodec
1.0C-H4A-B1(-B)*	1.0	✓	✓	✓	4.7 - 84.6 mm	✓	✓
1.0C-H4A-B2(-B)*	1.0	✓	✓	✓	3 - 9 mm	✓	✓
1.0C-H4A-B3(-B)*	1.0	✓	✓	✓	9 - 22 mm	✓	✓
2.0C-H4A-B1(-B)*	2.0	✓	✓	✓	4.7 - 84.6 mm	✓	✓
2.0C-H4A-B2(-B)*	2.0	✓	✓	✓	3 - 9 mm	✓	✓
2.0C-H4A-B3(-B)*	2.0	✓	✓	✓	9 - 22 mm	✓	✓
3.0C-H4A-B1(-B)*	3.0	✓	✓	✓	4.7 - 84.6 mm	✓	✓
3.0C-H4A-B2(-B)*	3.0	✓	✓	✓	3 - 9 mm	✓	✓
3.0C-H4A-B3(-B)*	3.0	✓	✓	✓	9 - 22 mm	✓	✓
5.0L-H4A-B2(-B)*	5.0		✓	✓	4.3 - 8 mm	✓	✓
5.0L-H4A-B3(-B)*	5.0		✓	✓	9 - 22 mm	✓	✓
8.0-H4A-B2(-B)*	8.0			✓	4.3 - 8 mm	✓	✓

\* These models are physically identical. (-B)\* depicts an updated hardware version.

H4-AC-WIFI2-NA	USB Wifi Adapter
H4-AC-WIFI2-EU	USB Wifi Adapter
CM-AC-AVIO1	3.5 mm Jack with 1.8 m Fly Wire



Management System  
ISO 9001:2015  
ISO 45001:2018  
www.tuv.com  
ID 9105016326



PT Nexcom Indonesia

**PT Nexcom Indonesia**  
 Komplek Golden Plaza, J-5  
 Jl. RS Fatmawati No. 15. Jakarta, Indonesia 14420

☎ 021 - 7511 225  
 ✉ sales.marketing@nexcom.co.id  
 🌐 www.nexcom.co.id